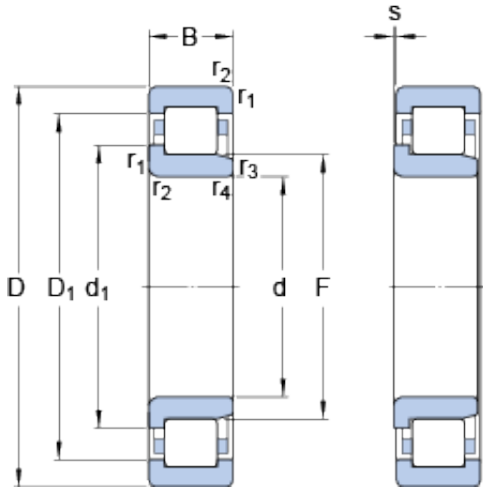




AF Bearing Machinery Co., Ltd.



SKF NJ 2222 ECP thrust ball bearings

Bearing No. NJ 2222 ECP

Size	200x110x53 mm
Bore Diameter	200 mm
Outer Diameter	110 mm
Width	53 mm
d	110 mm
D	200 mm
B	53 mm
d ₁	141 mm
D ₁	172.5 mm
F	132.5 mm
r _{1,2} - min.	2.1 mm
r _{3,4} - min.	2.1 mm
s	3.7 mm
d _a - min.	122 mm
d _a - max.	129 mm
d _b - min.	144 mm
D _a - max.	187 mm
r _a - max.	2 mm
Basic dynamic load rating - C	440 kN
Basic static load rating - C ₀	520 kN
Fatigue load limit - P _u	61 kN
Reference speed	3600 r/min
Limiting speed	4000 r/min
Calculation factor - k _r	0.2
Category	Cylindrical Roller Bearings

NJ 2222 ECP Bearing 2D drawings and 3D CAD models



AF Bearing Machinery Co., Ltd.

Inventory	0.0
Manufacturer Name	SKF
Minimum Buy Quantity	N/A
Weight / Kilogram	6.816
EAN	7316577031693
Product Group	B04144
Bore Profile	Straight
Cage Material	Polymer
Precision Class	RBEC 1 ISO P0
Number of Rows of Rollers	Single Row
Separable	Inner Ring - One Side
Rolling Element	Cylindrical Roller Bearing
Profile	Complete with Outer and Inner Ring
Snap Ring	No
Internal Clearance	C0-Medium
Retainer	Yes
Relubricatable	Yes
Inch - Metric	Metric
Other Features	High Capacity 1 Rib Inner Ring 2 Rib Outer Ring Cage on Outer Ring ID
Long Description	110MM Bore; Straight Bore Profile; 200MM Outside Diameter; 53MM Width; Polymer Cage Material; RBEC 1 ISO P0; Single Row; Inner Ring - One Side Separable; No Snap Ring; Relubricatable; C0-Medium Int
Category	Cylindrical Roller Bearing
UNSPSC	31171547
Harmonized Tariff Code	8482.50.00.00
Noun	Bearing
Manufacturer URL	http://www.skf.com



AF Bearing Machinery Co., Ltd.

Manufacturer Item Number	NJ 2222 ECP
Weight / LBS	15.014
Width	2.087 Inch 53 Millimeter
Bore	4.331 Inch 110 Millimeter
Outside Diameter	7.874 Inch 200 Millimeter
bore diameter:	110 mm
precision rating:	RBEC 1 (ISO Class Normal)
outside diameter:	200 mm
maximum rpm:	4000 RPM
overall width:	53 mm
bearing material:	Steel
flanges:	(2) Outer Ring, (1) Inner Ring
cage material:	Polyamide
bore type:	Straight
finish/coating:	Uncoated
number of rows:	1
closure type:	Open
internal clearance:	C0
application:	Piston Type Machines, Rolling Mills, Spindles/Machine Tools
ring separation:	Separable Ring
outer ring width:	53 mm
operating temperature range:	Maximum of +300 ° F
fillet radius:	2 mm
dynamic load capacity:	440 kN
series:	NJ22
static load capacity:	520 kN
d ₁	141 mm
D ₁	172.5 mm
r _{1,2} min.	2.1 mm



AF Bearing Machinery Co., Ltd.

$r_{3,4}$ min.	2.1 mm
s max.	3.7 mm
d_a min.	122 mm
d_a max.	129 mm
d_b min.	144 mm
D_a max.	187 mm
r_a max.	2 mm
Basic dynamic load rating C	440 kN
Basic static load rating C_0	520 kN
Fatigue load limit P_u	61 kN
Calculation factor k_r	0.2
Limiting value e	0.3
Axial load factor Y	0.4
Mass bearing	6.72 kg