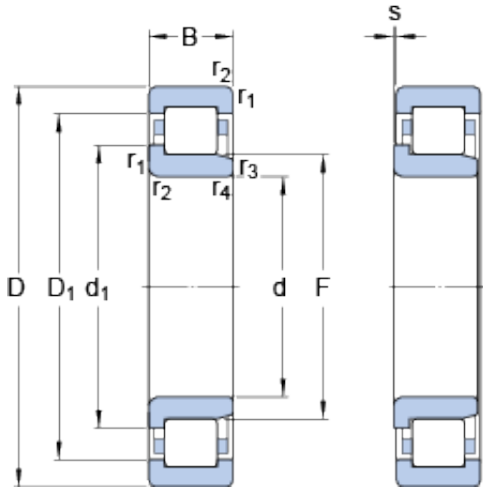




AF Bearing Machinery Co., Ltd.



SKF NJ 2211 ECM thrust ball bearings

Bearing No. NJ 2211 ECM

Size	100x55x25 mm
Bore Diameter	100 mm
Outer Diameter	55 mm
Width	25 mm
d	55 mm
D	100 mm
B	25 mm
d ₁	70.8 mm
D ₁	85.6 mm
F	66 mm
r _{1,2} - min.	1.5 mm
r _{3,4} - min.	1.5 mm
s	1.5 mm
d _a - min.	63 mm
d _a - max.	64 mm
d _b - min.	73 mm
D _a - max.	91.4 mm
r _a - max.	1 mm
Basic dynamic load rating - C	114 kN
Basic static load rating - C ₀	118 kN
Fatigue load limit - P _u	15.3 kN
Reference speed	7500 r/min
Limiting speed	8000 r/min
Calculation factor - k _r	0.2
d ₁	70.8 mm

NJ 2211 ECM Bearing 2D drawings and 3D CAD models



AF Bearing Machinery Co., Ltd.

D_1	85.7 mm
$r_{1,2}$ min.	1.5 mm
$r_{3,4}$ min.	1.1 mm
s max.	1.5 mm
d_a min.	63 mm
d_a max.	64 mm
d_b min.	73 mm
D_a max.	91.4 mm
r_a max.	1 mm
Basic dynamic load rating C	114 kN
Basic static load rating C_0	118 kN
Fatigue load limit P_u	15.3 kN
Calculation factor k_f	0.2
Limiting value e	0.3
Axial load factor Y	0.4
Mass bearing	0.91 kg
Angle ring	HJ 2211 EC