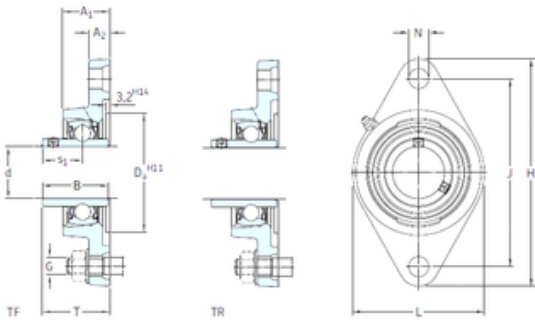




AF Bearing Machinery Co., Ltd.

SKF FYTB 25 FM bearing units

Bearing No. FYTB 25 FM



FYTB 25 FM Bearing 2D drawings and 3D CAD models

Bore Diameter	25 mm
d	25 mm
Da	63,5 mm
s1	23,5 mm
A1	30 mm
B1	31 mm
G	10 mm
H	124 mm
J	99 mm
L	70 mm
N	11,5 mm
T	42,5 mm
A2	12 mm
Weight	0,64 Kg
Basic dynamic load rating (C)	14 kN
Basic static load rating (C0)	7,8 kN
Fatigue load limit (Pu)	0,335
Category	Flange Block Bearings
Inventory	0.0
Manufacturer Name	SKF
Minimum Buy Quantity	N/A
Weight / Kilogram	0.64
EAN	7316571047737
Product Group	M06110
Number of Mounting Holes	2
Mounting Method	Eccentric Collar



AF Bearing Machinery Co., Ltd.

Housing Style	2 Bolt Flange Block
Rolling Element	Ball Bearing
Housing Material	Cast Iron
Expansion / Non-expansion	Non-expansion
Mounting Bolts	10 Millimeter
Relubricatable	Yes
Insert Part Number	YET 205
Seals	M Seal
Housing Configuration	1 Piece Solid
Pilot Configuration	No Pilot
Inch - Metric	Metric
Long Description	2 Bolt Flange Block; 25MM Bore; 99MM Bolt Circle; 99MM Bolt Spacing; 1 Piece Solid; Eccentric Collar Mount; Cast Iron; Ball Bearing; 31MM Length Thru Bore; Relubricatable; M Seal Seals
Other Features	Single Row Standard Duty Narrow Inner Race Open End Y Bearing
Category	Flange Block
UNSPSC	31171501
Harmonized Tariff Code	8483.20.40.40
Noun	Bearing
Keyword String	Flanged
Manufacturer URL	http://www.skf.com
Manufacturer Item Number	FYTB 25 FM
Weight / LBS	1.41
Length Thru Bore	1.22 Inch 31 Millimeter
Nominal Bolt Circle Diameter Round	3.9 Inch 99 Millimeter
Cartridge Pilot Depth	0 Inch 0 Millimeter
Bore	0.984 Inch 25 Millimeter



AF Bearing Machinery Co., Ltd.

Bolt Spacing	3.9 Inch 99 Millimeter
Cartridge Pilot Diameter	0 Inch 0 Millimeter
bore diameter:	25 mm
radial static load capacity:	7.8 kN
bolt center-to-center length:	99 mm
seal type:	Contact with Flinger
overall length/diameter:	70 mm
length through bore:	42.5 mm
bore type:	Round
finish/coating:	Uncoated
mounting type:	Two-Bolt Flange
maximum rpm:	7000 RPM
housing material:	Cast Iron
lubrication type:	Lubrication Fitting
locking device:	Eccentric Collar
series:	FYTB
expansion type:	Non-Expansion Bearing (Fixed)
replacement bearing:	YET 205
radial dynamic load capacity:	14 kN
manufacturer upc number:	7316571047737
Housing material	Cast iron
D_a	63.5 mm
D_{b1}	65 mm
D_{b2}	70 mm
A	30 mm
A_1	12 mm
A_3	3.2 mm
A_5	18 mm
B_1	31 mm
B_4	4.75 mm
s_1	23.5 mm



AF Bearing Machinery Co., Ltd.

R_G	1/4-28 UNF
R_1	20.5 mm
R	45 °
D_N	6.5 mm
SW_N	7 mm
G_N	1/4-28 SAE-LT
J_6	81 mm
J_7	12 mm
N_4	2 mm
Basic dynamic load rating C	14 kN
Basic static load rating C_0	7.8 kN
Fatigue load limit P_u	0.335 kN
Limiting speed	7000 r/min
Mass bearing unit	0.57 kg
Thread grub screw G_2	M6x0.75
Hexagonal key size for grub screw N	3 mm
Recommended tightening torque for grub screw	4 N · m
Recommended diameter for attachment bolts, mm G	10 mm
Recommended diameter for attachment bolts, inch G	0.375 in
Housing	FYTB 505 M
Bearing	YET 205
End cover	ECY 205