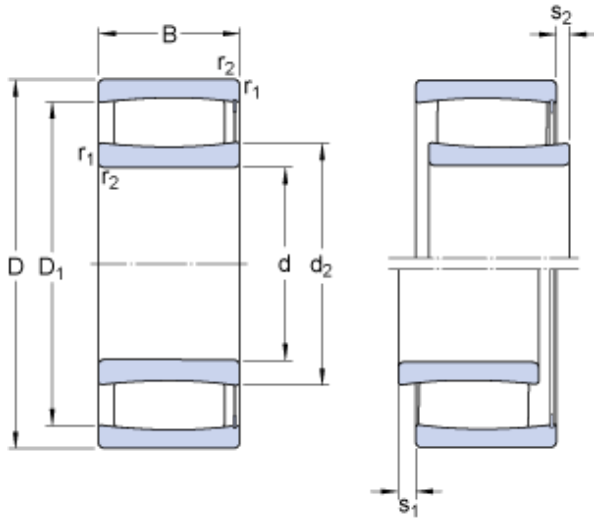




AF Bearing Machinery Co., Ltd.



SKF C 4032 V cylindrical roller bearings

Bearing No. C 4032 V

C 4032 V Bearing 2D drawings and 3D CAD models

Size	240x160x80 mm
Bore Diameter	240 mm
Outer Diameter	160 mm
Width	80 mm
d	160 mm
D	240 mm
B	80 mm
d ₂	181 mm
D ₁	217 mm
s ₁	18.1 mm
s ₂	8.2 mm
r _{1,2} - min.	2.1 mm
d _a - min.	171 mm
d _a - max.	199 mm
D _a - max.	229 mm
r _a - max.	2 mm
Basic dynamic load rating - C	915 kN
Basic static load rating - C ₀	1460 kN
Fatigue load limit - P _u	140 kN
Limiting speed	600 r/min
Factor - k ₁	0.109
Factor - k ₂	0.103
Category	Roller Bearings
Inventory	0.0



AF Bearing Machinery Co., Ltd.

Manufacturer Name	SKF
Minimum Buy Quantity	N/A
Weight / Kilogram	0
EAN	7316571251110
Product Group	B04144
bore type:	Straight
cage material:	Steel
bore diameter:	160 mm
outer ring width:	80 mm
outside diameter:	240 mm
fillet radius:	2.1 mm
overall width:	80 mm
precision rating:	Not Rated
closure type:	Open
lubrication holes:	No Holes
operating temperature range:	392 ° F
manufacturer product page:	Click here
dynamic load capacity:	915 kN
manufacturer upc number:	7316571251110
static load capacity:	1460 kN
weight:	28.7 lbs
maximum rpm:	600 rpm
d_2	181 mm
D_1	217 mm
s_1 max.	18.1 mm
s_2 max.	8.2 mm
$r_{1,2}$ min.	2.1 mm
d_a min.	171 mm
d_a max.	199 mm
D_a max.	229 mm
r_a max.	2 mm
Basic dynamic load rating C	915 kN



AF Bearing Machinery Co., Ltd.

Basic static load rating C_0	1460 kN
Fatigue load limit P_u	140 kN
Misalignment factor k_1	0.109
Operating clearance factor k_2	0.103
Mass bearing	13 kg